

SS Series Pump

For the small size residential pools or above-ground pools



SS Series Pump

SS Series Pump with timer

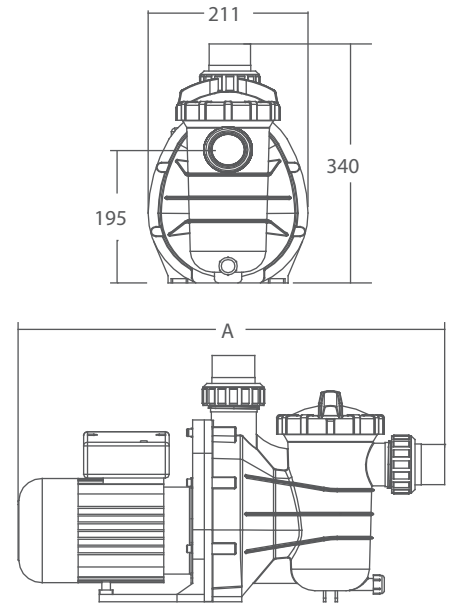
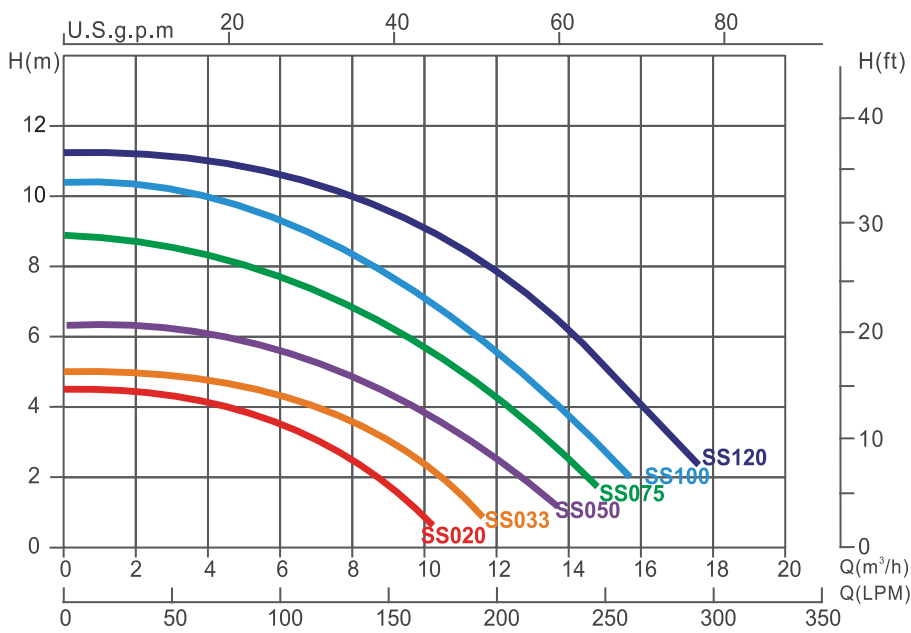
THE BEST OPTION FOR SMALLER PLUMBING

The SS pump is quiet running and energy efficient. 1.5-inch suction and discharge port with a transparent lid. It operates at a low decibel and energy consumption which requires minimal maintenance.

Additional features for timer option:

1. The SS Series pump offers an optional built-in timer that allows the user to quickly set up the pump's running schedule on a user-friendly control pad.
2. Set up the ideal switch-on time and the run-time ranging from 2 hours a day to 24 hours.
3. Battery backup memory up to 72 hours.





Remark: The performance curve above is for 50Hz models

Product Information and Dimensions:

Model 50Hz	Input (kW)	Current (AMP)	Noise (dB)	Head (m)			
				2	4	6	8
Flow Rate (m³/h)							
SS020/SS020T	0.28	1.5	55	8.4	4	--	--
SS033/SS033T	0.43	2	55	10.4	7	--	--
SS050/SS050T	0.55	2.5	60	12.4	10	4	--
SS075/SS075T	0.75	3.5	60	14.4	12.2	9.4	5
SS100/SS100T	0.90	4.7	65	15.2	13.8	11.4	8.4
SS120/SS120T	0.97	5.8	65	18	16	14	12

Product Features:

1. 1.5 inch suction and discharge ports
2. Asynchronous, two-pole motor
3. Class insulation: 130(B)
4. IPX5 Waterproof standard
5. Built-in thermal protection
6. Overload protection
7. External heat sink
8. Available in 50Hz or 60Hz with 220V/110V
9. Specially designed unions compatible for both Imperial and Metric standards
10. 316 stainless steel shaft
11. 316 stainless steel mechanical seal
12. Low noise level, low energy and easy maintenance

Code 220V/50Hz	Code 110V/60Hz	Model	Connection Size	Horsepower	Weight (kg)	Capacitance 220V	Capacitance 110V	A mm
88022401	88022601	SS020	1.5" / 50mm	0.2hp	6.20	5µF	20µF	507
88022402	88022602	SS033	1.5" / 50mm	0.33hp	6.50	6µF	24µF	507
88022403	88022603	SS050	1.5" / 50mm	0.5hp	8.03	8µF	30µF	552
88022404	88022604	SS075	1.5" / 50mm	0.75hp	9.01	14µF	40µF	552
88022405	88022605	SS100	1.5" / 50mm	1.0hp	9.09	20µF	60µF	552
88022406	88022606	SS120	1.5" / 50mm	1.2hp	11.00	20µF	60µF	552
9020329	/	SS020T	1.5" / 50mm	0.2hp	6.20	5µF	/	507
9020330	/	SS033T	1.5" / 50mm	0.33hp	6.50	6µF	/	507
9020331	/	SS050T	1.5" / 50mm	0.5hp	8.03	8µF	/	552
9020332	/	SS075T	1.5" / 50mm	0.75hp	9.01	14µF	/	552
9020333	/	SS100T	1.5" / 50mm	1.0hp	9.09	20µF	/	552
9020334	/	SS120T	1.5" / 50mm	1.2hp	11.00	20µF	/	552